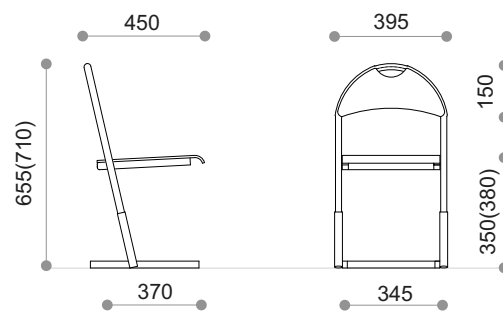


### the structure

A chair made of steel profile with a cross-section of 25 and 35 mm. Adjustment of the height in ranges of 2-3, 3-4 or 5-6 is carried out through the telescopic extension of steel profiles. The design of the chair makes it possible to be hung on the desk. The steel frame under the seat is secured with plastic gliders protecting the desk from scratches.



bolek  
adjustable 2-3

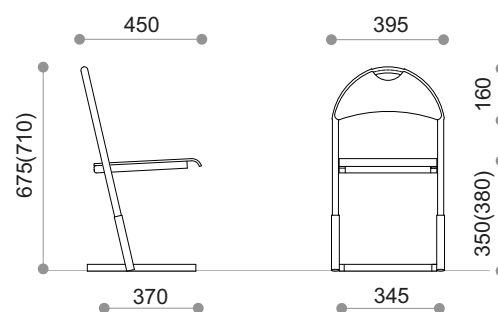


### approvals and certifications

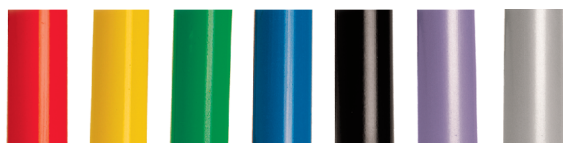
Dimensions are in accordance with the principles of selection of work station for students and PN-EN st



bolek  
adjustable 3-4



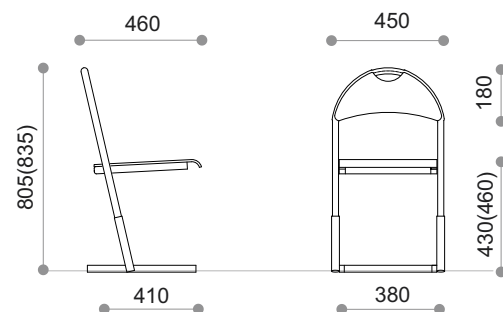
### Examples of colours for metal frames



standard colours of metal frames



bolek  
adjustable 5-6



colour available at extra charge

### Rules for selection of work station for the student depending on his / her height

size number	0	1	2	3	4	5	6	7
growth without shoes	800 - 950	930 - 1160	1080 - 1210	1190 - 1420	1330 - 1590	1460 - 1765	1590 - 1880	1740 - 2070
seat height	210	260	310	350	380	430	460	510
table height	400	460	530	590	640	710	760	820
colour code								