

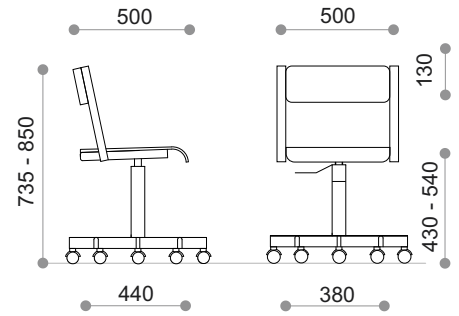


the structure

Swivel school chair, seat and backrest made of beech plywood.



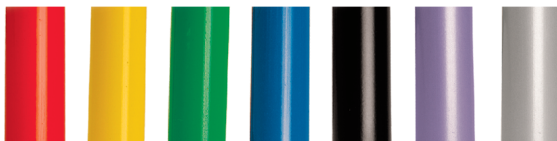
● junior



approvals and certifications

Dimensions are in accordance with the principles of selection of work station for students and PN-EN standards 1729-1:2007.

Examples of colours for metal frames



standard colours of metal frames



colour available at extra charge

Rules for selection of work station for the student depending on his / her height

size number	0	1	2	3	4	5	6	7
growth without shoes	800 – 950	930 – 1160	1080 – 1210	1190 – 1420	1330 – 1590	1460 – 1765	1590 – 1880	1740 – 2070
seat height	210	260	310	350	380	430	460	510
table height	400	460	530	590	640	710	760	820
colour code								